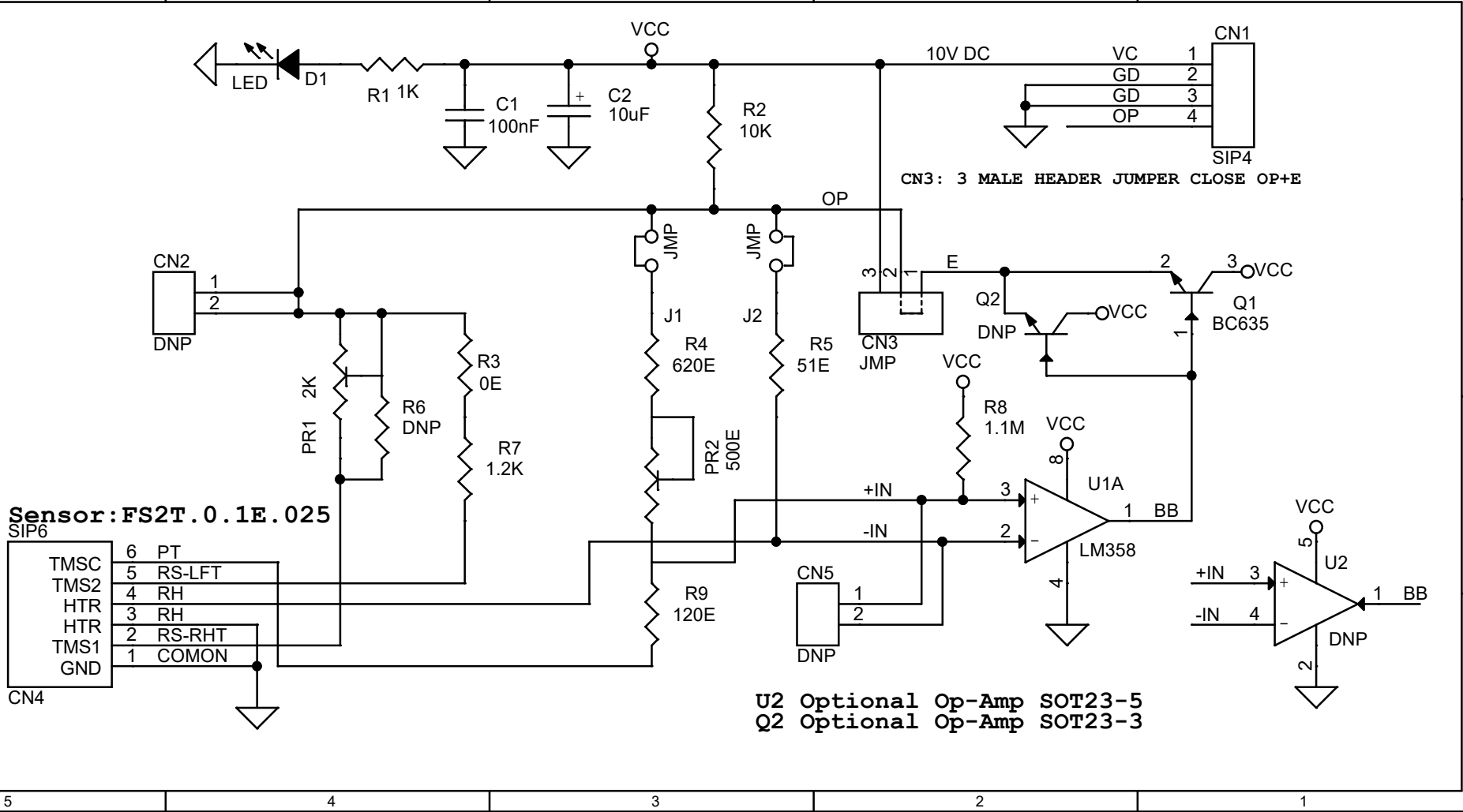


Sensor: FS2T.0.1E.025
SIP6

6	PT
5	RS-LFT
4	RH
3	RH
2	RS-RHT
1	COMON
GND	

CN4



CN3: 3 MALE HEADER JUMPER CLOSE OP+E

U2 Optional Op-Amp SOT23-5
Q2 Optional Op-Amp SOT23-3